



Toggle (Snap) Switch



**801X
SERIES**

SPECIFICATION



RATING : 16(6)A 250V~ T55

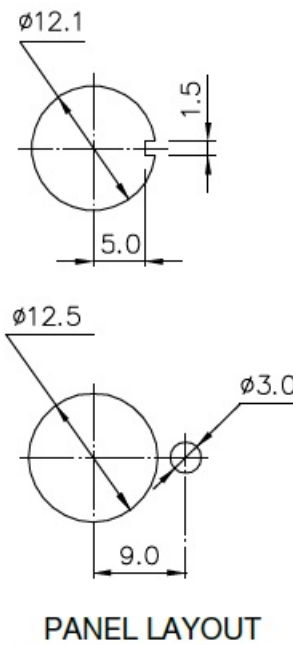
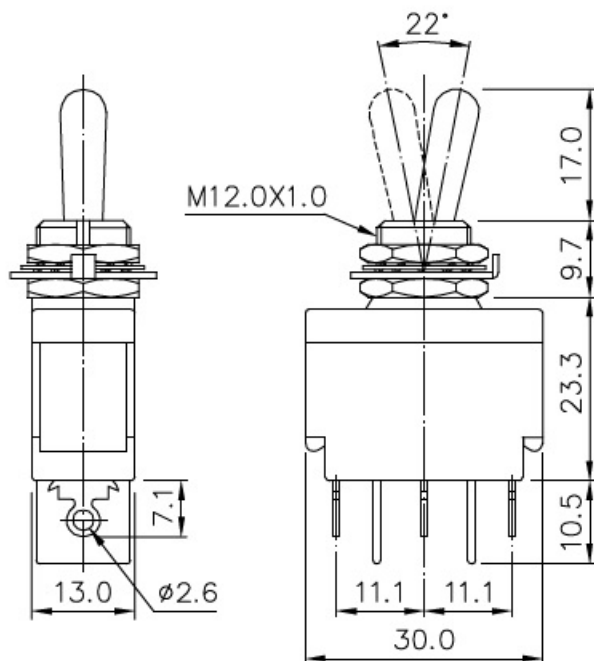
INSULATION RESISTANCE : DC 500V 100MΩ OR MORE

CONTACT RESISTANCE : DC 2-4V 1A 20mΩ OR LESS

WITHSTAND VOLTAGE : AC 1500V FOR 1 Min

AMBIENT TEMPERATURE : 0 °C TO 55 °C

ELECTRICAL LIFE : 10,000 CYCLES



HOW TO ORDER

801 □ - □ - □

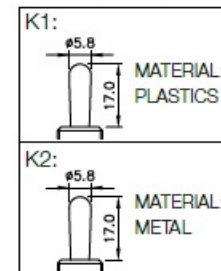
SWITCH FUNCTION

8011 : ON-OFF

8012 : ON-ON

8013 : ON-OFF-ON

SHAFT



TERMINAL

