

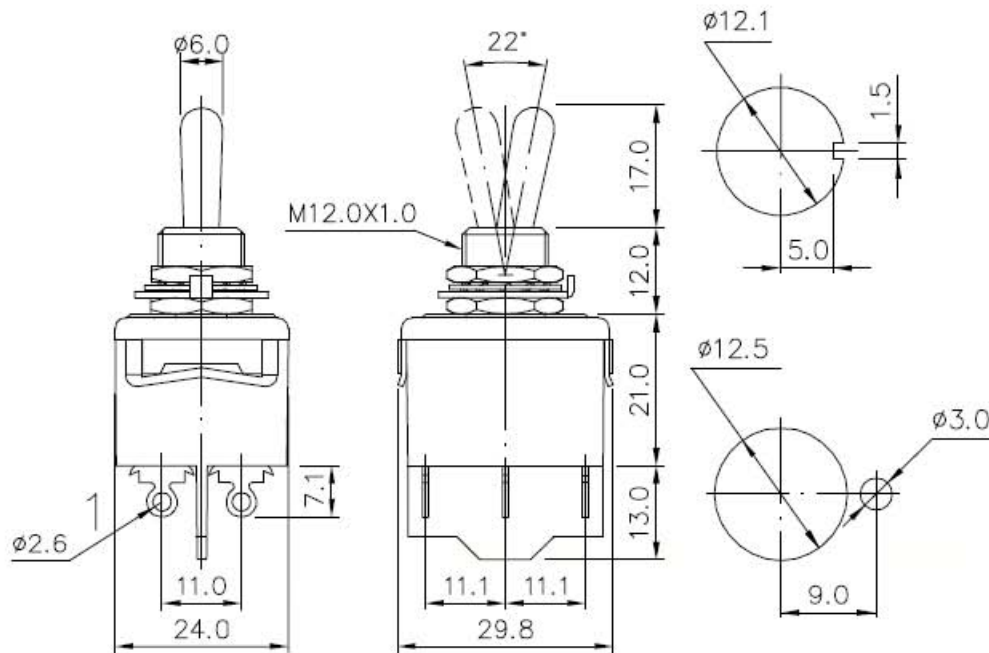


# SPECIFICATION



RATING	: 16A 125VAC , 10A 277VAC (UL,C-UL) 16(6)A 250V~ T125 (ENEC)
INSULATION RESISTANCE	: DC 500V 100MΩ OR MORE
CONTACT RESISTANCE	: DC 2-4V 1A 20mΩ OR LESS
WITHSTAND VOLTAGE	: AC 1500V FOR 1 Min
AMBIENT TEMPERATURE	: 0 °C TO 125 °C
ELECTRICAL LIFE	: 10,000 CYCLES

## 602X SERIES



PANEL LAYOUT

## HOW TO ORDER

602  -  -  -

SWITCH FUNCTION	SHAFT	RATING	TERMINAL
6021 : ON-OFF(UL, C-UL)	K1:	C1 : 16(6)A 250VAC	T1:
6022 : ON-ON(UL, C-UL)			T2: 6.35x0.8
6023 : ON-OFF-ON	K2:		T3:
6024 : (ON)-OFF			
6025 : ON-(ON)			
6026 : (ON)-OFF-(ON)			
6027 : ON-OFF-(ON)			