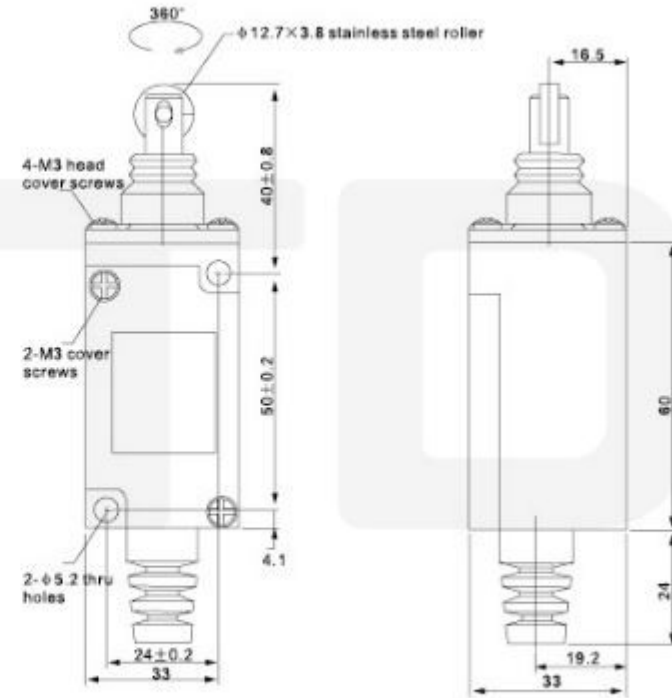




CHL-5200



Direction of rotor CHL-5220