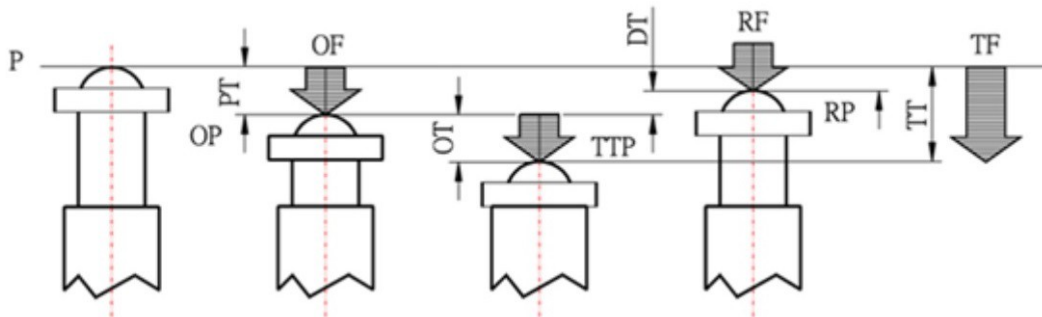
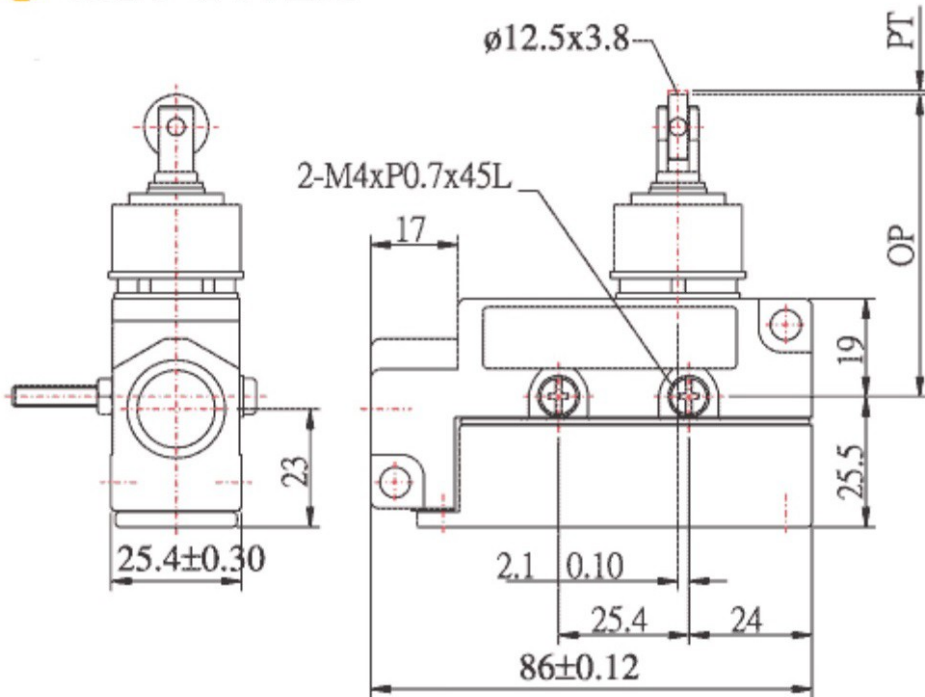


● **MJ1-6112R**



Characteristics:

| | |
|-----------------------------|------------|
| OF: Operating Force Max | 500g |
| RF: Release Force Min | 100g |
| PT: Pretravel Max | 2mm |
| OT: Over Travel Min | 3.5mm |
| DT: Differential Travel Max | 0.12mm |
| TT: Total Travel Min | 49.7±0.8mm |

Ratings:

| | |
|--------|------------|
| 15A | 125V, 250V |
| 1/8 HP | 125V AC |
| 1/4 HP | 250V AC |
| 1/2 HP | 125V DC |
| 1/4 HP | 250V DC |

