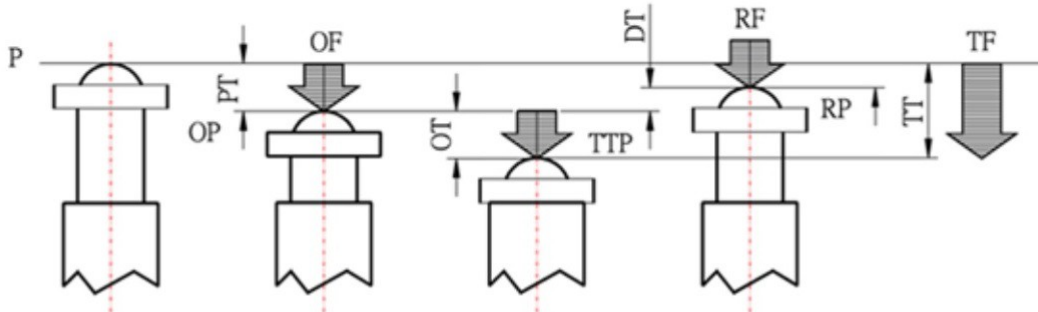
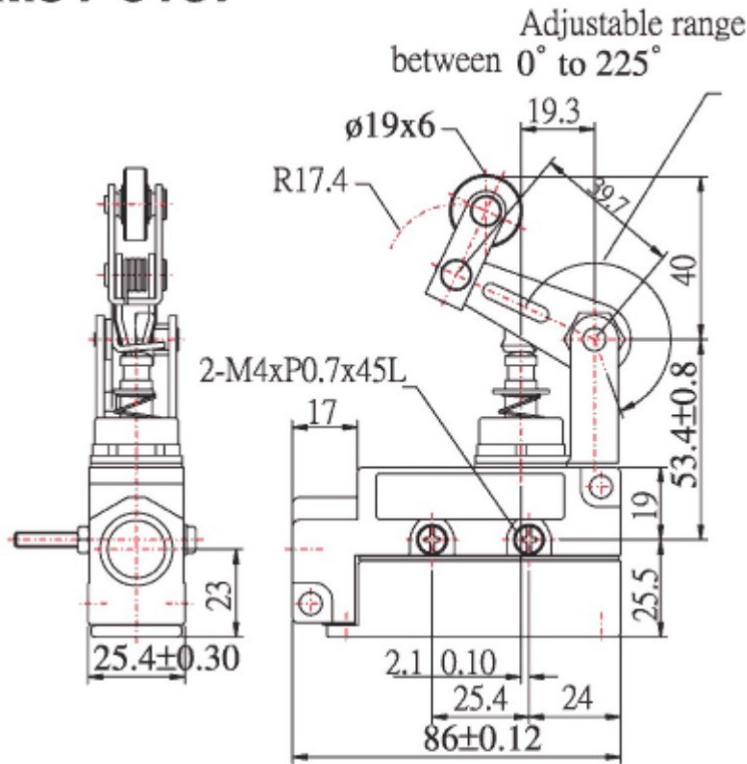


## ● MJ1-6107



### Characteristics:

OF: Operating Force Max	600g
RF: Release Force Min	170g
PT: Pretravel Max	5mm
OT: Over Travel Min	5.5mm
DT: Differential Travel Max	0.72mm
TT: Total Travel Min	

### Ratings:

15A	125V, 250V
1/8 HP	125V AC
1/4 HP	250V AC
1/2 HP	125V DC
1/4 HP	250V DC

