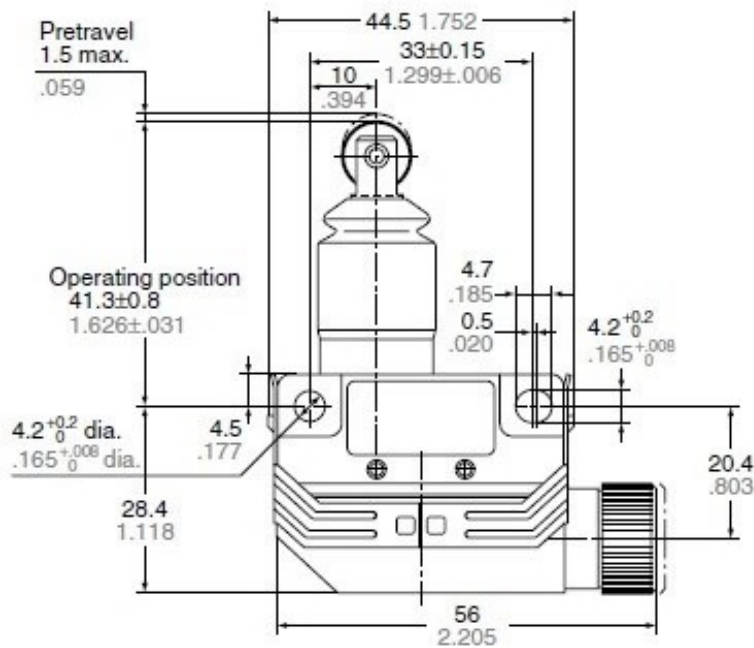


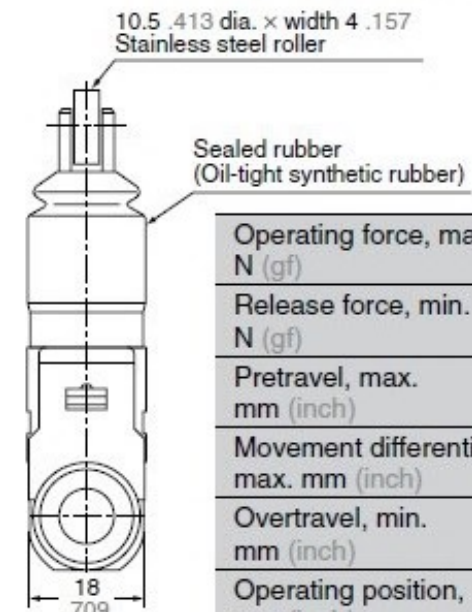
Sealed roller plunger



AZH2012
AZH2212



mm inch General tolerance: ±0.4 ±.016



Operating force, max. N (gf)	11.8 (1200)
Release force, min. N (gf)	4.90 (500)
Pretravel, max. mm (inch)	1.5 (.059)
Movement differential, max. mm (inch)	0.1 (.004)
Overtravel, min. mm (inch)	3.0 (.118)
Operating position, mm (inch)	41.3±0.8 (1.626±.031)