

M6 SERIES Ø 16 mm PUSH BUTTONS

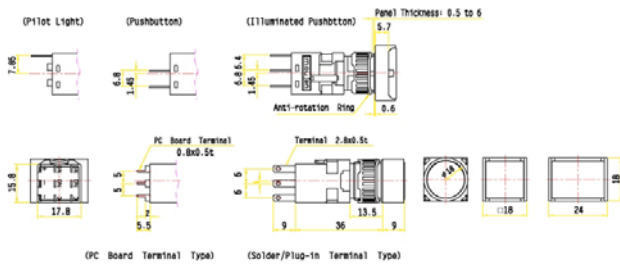
FEATURES

- Apparent shapes
- Round (Ø 18 mm), square (18x18 mm), rectangular (18x24mm)
- Solder/plug-in terminal (#110) and P.C. board terminal type
- IP65
- 5 A 250 VAC
- Gold-clad NO/NC contacts
- -25°C to 55°C



M6L PILOT LIGHTS

Pilot/Lights. Pushbuttons. Illuminated Pushbuttons.



Item nr Specification

M6L-	Pilot light, incandescent lamp
M6L-	Pilot light, led lamp
M6L-	Pilot light, neon lamp

M6P PUSH BUTTONS



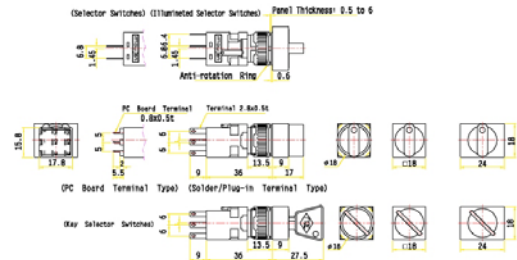
M6P-1M1-1	Push button 1c momentary
M6P-1M2-1	Push button 2c momentary
M6P-1A1-1	Illuminated push button 1c momentary, incandescent lamp
M6P-1M1-1	Illuminated push button 1c momentary, led lamp
M6P-1M1-1	Illuminated push button 1c momentary, neon lamp
M6P-1M2-1	Illuminated push button 2c momentary incandescent lamp
M6P-1M2-1	Illuminated push button 2c momentary, led lamp

M6P-1M2-1	Illuminated push button 2c momentary, neon lamp
M6P-1A1-1	Push button 1c alternate
M6P-1A2-1	Push button 2c alternate
M6P-1A1-1	Illuminated push button 1c alternate, incandescent lamp
M6P-1A1-1	Illuminated push button 1c alternate, led lamp
M6P-1A1-1	Illuminated push button 1c alternate, neon lamp
M6P-1A2-1	Illuminated push button 2c alternate, incandescent lamp
M6P-1A2-1	Illuminated push button 2c alternate, led lamp
M6P-1A2-1	Illuminated push button 2c alternate, neon lamp

M6S SELECTOR SWITCHES



Selector. Switches. Illuminated Selector Switches. Key Selector Switches.



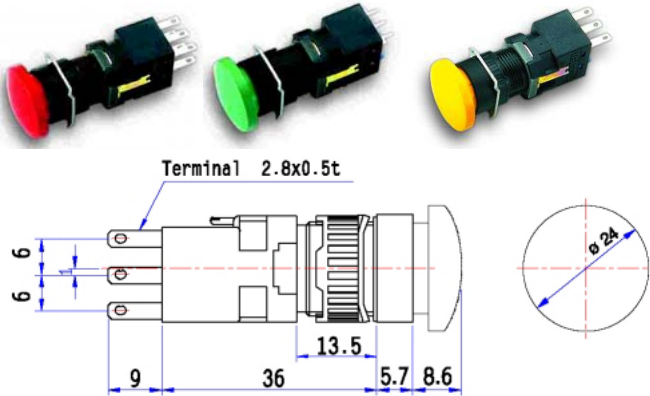
M6S-111	Selector switch 1c
M6S-112	Selector switch 2c
M6S-111-1	Selector switch 1c illuminated, incandescent lamp
M6S-111-1	Selector switch 1c illuminated, led lamp
M6S-111-1	Selector switch 1c illuminated, neon lamp
M6S-112-1	Selector switch 2c illuminated, incandescent lamp
M6S-112-1	Selector switch 2c illuminated, led lamp
M6S-112-1	Selector switch 2c illuminated, neon lamp

M6K KEY SELECTOR SWITCHES



M6K-111-1	Key selector switch 1c
M6K-112-1	Key selector switch 2c

M6E ILLUMINATED EMERGENCY STOP/EMERGENCY STOP SWITCHES



(Solder/Plug-in Terminal Type)

M6E-AM1-1	Emergency stop switch, 1c momentary
M6E-AM2-1	Emergency stop switch, 2c momentary
M6E-AA1-1	Emergency stop switch, 1c alternate
M6E-AA2-1	Emergency stop switch, 2c alternate
M6E-AM1-1i	Emergency stop switch, 1c momentary, incandescent lamp
M6E-AM1-1ii	Emergency stop switch, 1c momentary, led lamp
M6E-AM1-1ni	Emergency stop switch, 1c momentary, neon lamp
M6E-AM2-1i	Emergency stop switch, 2c momentary, incandescent lamp
M6E-AM2-1ii	Emergency stop switch, 2c momentary, led lamp
M6E-AM2-1ni	Emergency stop switch, 2c momentary, neon lamp
M6E-AA1-1i	Emergency stop switch, 1c alternate, incandescent lamp
M6E-AA1-1ii	Emergency stop switch, 1c alternate, led lamp
M6E-AA1-1ni	Emergency stop switch, 1c alternate, neon lamp
M6E-AA2-1i	Emergency stop switch, 2c alternate, incandescent lamp
M6E-AA2-1ii	Emergency stop switch, 2c alternate, led lamp
M6E-AA2-1ni	Emergency stop switch, 2c alternate, neon lamp

M6Z BUZZER



M6Z-ii Buzzer

M6 ACCESSORIES

L-06	6 V incandescent lamp
L-14	14 V incandescent lamp
L-28	28 V incandescent lamp
L-110	110 VAC neon lamp
L-220	220 VAC neon lamp
L-06E	6 VDC led bulb
L-12E	12 VDC led bulb
L-24E	24 VDC led bulb
M-261	Protection cap for round and square
M-262	Protection cap for rectangular
M-270	Dust-proof cover for round
M-271	Dust-proof cover for square
M-272	Dust-proof cover for rectangular
M-231	Blanking plug
M-232	Terminal cover
M-030	Mounting wrench
M-170	Lens removing
M-230	Lamp extractor
M-218A1	Color lens
M-218B1	Color lens
M-218C1	Color lens
M-218D1	Color lens
M-218E1	Color lens
M-217A1	Marking plate
M-217B1	Marking plate
M-217C1	Marking plate