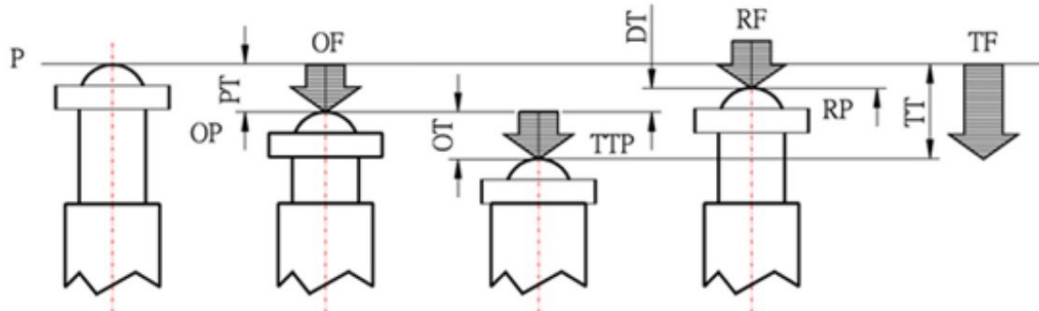
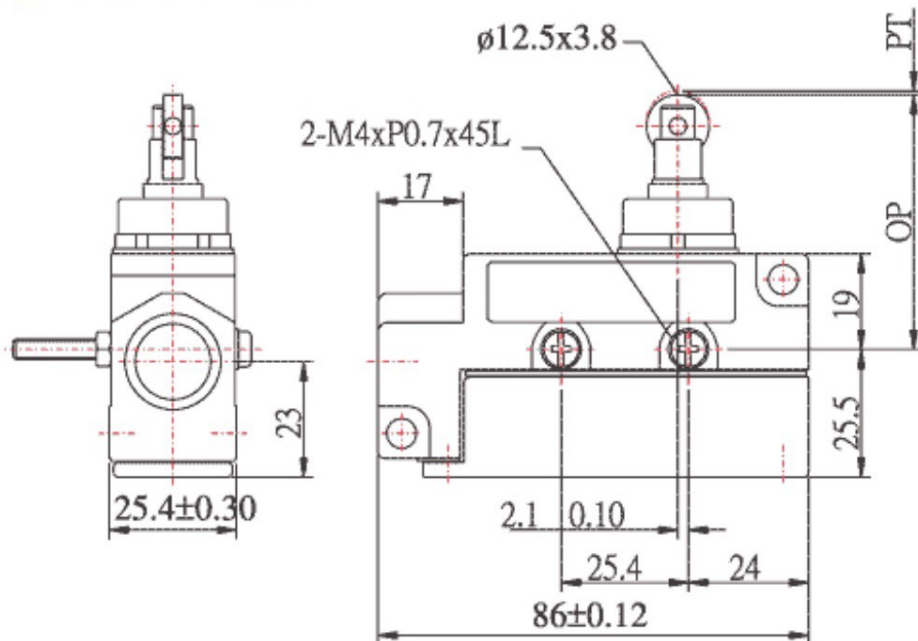


● MJ1-6102



Characteristics:

OF: Operating Force Max	250g-450g
RF: Release Force Min	114g
PT: Pretravel Max	0.8mm
OT: Over Travel Min	3.6mm
DT: Differential Travel Max	0.05mm
TT: Total Travel Min	50.7±0.8mm

Ratings:

15A	125V, 250V
1/8 HP	125V AC
1/4 HP	250V AC
1/2 HP	125V DC
1/4 HP	250V DC

